



“Vistafolia®’s Luxury Boxwood Hedges have been designed to create a beautiful green environment with a realistic effect even in the most inhospitable planting locations”.

## PRODUCT DESCRIPTION

The standard size hedge comprises UV Stabilised & Fire Rated artificial foliage fixed with stainless steel ties to a powder coated frame

## FEATURES

- Over lapping foliage removes join lines
- Durable panels manufactured to ISO 9001
- UV & Fire Rated with test certificates
- REACH Compliant
- Quick and easy installation
- Realistic Boxwood plant texture and colour
- Customisable with a range of Colour & Texture boxes

### Quality Standards / Certification:

**UV Test:** BS EN ISO 4892-2: 2013 - ‘Plastics - Methods of Exposure to Laboratory Light Sources - Xenon-arc lamps.

### Reaction to fire classification:

- BS EN ISO 13501-1:2007+A1:2009 Fire classification of construction products and building elements. Part 1: Classification using data from reaction to fire tests.
- NFPA 701 – Standard Methods of Fire Tests for Flame Propagation of Textiles and Films. Method 1. Result: Pass
- UL94HB. Result: HB

**Freeze/Thaw test:** MIL-STD-810G Method 524.

*For more information see our Vistafolia® Technical Guide*

## TECHNICAL SPECIFICATIONS

**Standard Size Hedge**      Height: 875cm / 34.45"  
Width: 800 mm -31.5"  
Depth: up to 280 mm - 11"

**Coverage**      1 Hedge = 0.7 sqm

**Weight**      Approx.13 kg per panel  
29 pounds

**Distribution**      160 plants per hedge

**Colour References**      Green

**Manufacturing Process**      Injection moulded polyethylene / Foliage fixed to the grid manually

**Packing**      One hedge

**Warranty**      5-year in the UK



UV - IFR Technology



Quality Standard



Tested & Certified



5 Year UK Warranty



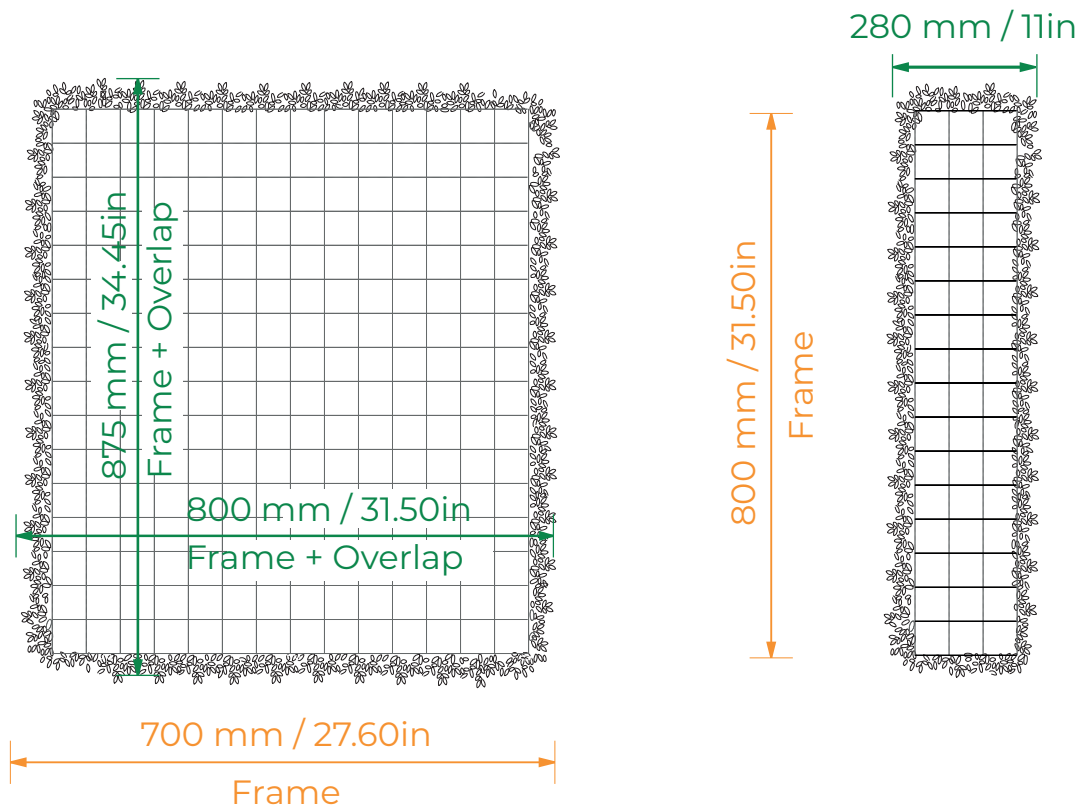
Low Maintenance



Recyclable\*

\*Check with local authority

## HEDGE PROFILE



The Vistafolia<sup>®</sup> Luxury Boxwood Hedge has been carefully designed with a subtle 'planting overlap' to ensure a seamless connection between sections when installed side by side. The top overlap is slightly deeper than the bottom, while the sides are symmetrical. This clever detail not only allows for a smooth, continuous appearance but also helps conceal the underlying structure that supports the foliage.

Information provided for general guidance only and does not constitute professional advice or a warranty of regulatory compliance. Suitability and compliance depend on the specific application, substrate, system build-up, and local requirements. Customers must take professional advice and satisfy themselves as to compliance for their intended use.



“Vistafolia®’s Luxury Flowering Hedges have been designed to create a beautiful green environment with a realistic effect even in the most inhospitable planting locations”.

## PRODUCT DESCRIPTION

The standard size hedge comprises UV Stabilised & Fire Rated artificial foliage fixed with stainless steel ties to a powder coated frame

## FEATURES

- Over lapping foliage removes join lines
- Durable panels manufactured to ISO 9001
- UV & Fire Rated with test certificates
- REACH Compliant
- Quick and easy installation
- Realistic Boxwood plant texture and colour
- Customisable with a range of Colour & Texture boxes

### Quality Standards / Certification:

**UV Test:** BS EN ISO 4892-2: 2013 - ‘Plastics - Methods of Exposure to Laboratory Light Sources - Xenon-arc lamps.

### Reaction to fire clasification:

- BS EN ISO 13501-1:2007+A1:2009 Fire classification of construction products and building elements. Part 1: Classification using data from reaction to fire tests.
- NFPA 701 – Standard Methods of Fire Tests for Flame Propagation of Textiles and Films. Method 1. Result: Pass
- UL94HB. Result: HB

**Freeze/Thaw test:** MIL-STD-810G Method 524.

*For more information see our Vistafolia® Technical Guide*

## TECHNICAL SPECIFICATIONS

<b>Standard Size Hedge</b>	Height: 875cm / 34.45" Width: 800 mm / 31.5" Depth: up to 280 mm / 11"
<b>Coverage</b>	1 Panel = 0.7 sqm
<b>Weight</b>	Approx.13 kg per panel 29 pounds
<b>Distribution</b>	160 plants per hedge
<b>Colour References</b>	Mixed green
<b>Manufacturing Process</b>	Injection moulded polyethylene / Foliage fixed to the grid manually
<b>Packing</b>	One hedge
<b>Warranty</b>	5-year in the UK



UV - IFR  
Technology



Quality  
Standard



Tested &  
Certified



5 Year UK  
Warranty

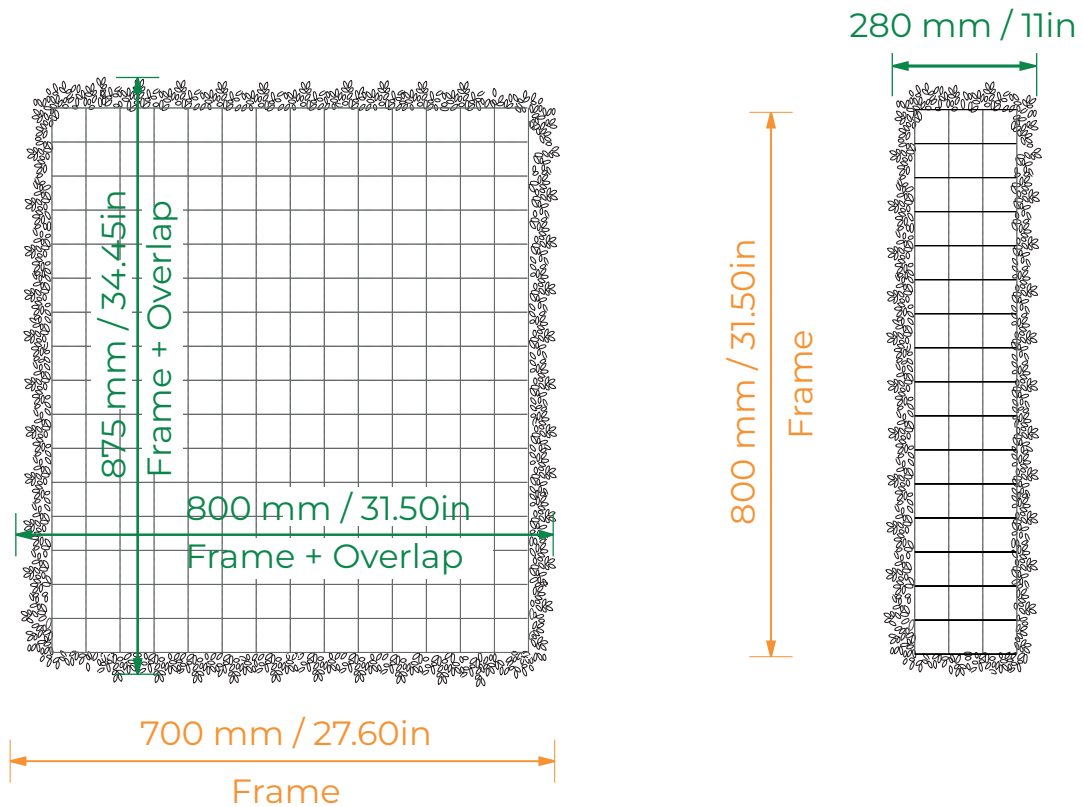


Low  
Maintenance



Recyclable\*  
\*Check with local authority

**HEDGE PROFILE**



The Vistafolia® Luxury Flowering Panel has been carefully designed with a subtle ‘planting overlap’ to ensure a seamless connection between panels when installed side by side. The top overlap is slightly deeper than the bottom, while the sides are symmetrically aligned. This thoughtful detail allows for a smooth, continuous appearance and helps to conceal the panel’s supporting structure, ensuring the vibrant flowers and foliage remain the focus.

Information provided for general guidance only and does not constitute professional advice or a warranty of regulatory compliance. Suitability and compliance depend on the specific application, substrate, system build-up, and local requirements. Customers must take professional advice and satisfy themselves as to compliance for their intended use.